



Plate Single-acting flow control valves

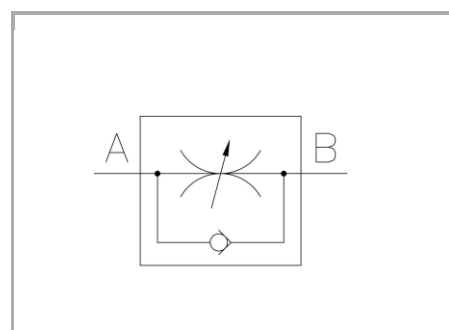
FT 280/5

Plate flow control valves available in sizes from 1/4" to 1/2" and Cetop 3 (03) and 06. Max. working pressure 250 Bar, adjustable oil flow rate from 2 to 80 Lt./min. (depending on the size)

Plate mounted valves

Single-acting control

Carbon steel



Technical information

Technical description

Their function is to control and eventually shut-off the flow in one direction, allowing a free return in the opposed one. The suitable dimensions allow to obtain in reduced spaces a remarkable mechanical resistance of components. As all valves of the series FT 257 they ensure: • efficient metallic sealing; • flow linearity during opening; • accurate flow control, clearly visible with the double reference system; • wide control range of specific flow rate; • absolute safety against needle withdrawal also in the maximum opening position; • positioning stability, thanks to the screw inserted in knob. They are provided with plate connections mod. CETOP 03 or interchangeable with the widely used valves (kind 60). The connection O-rings are equipped in series. Max. working pressure 250 bar

Materials

CORPO BASETTA / CETOP BODY	Acciaio/Steel 11 S Mn Pb 37-UNI EN 10087
CORPO CARTUCCIA / CARTRIDGE BODY	Acciaio/Steel 11 S Mn Pb 37-UNI EN 10087
SPILO DI REGOLAZIONE / ADJUSTING NEEDLE	Acciaio legato/Alloy Steel
GUARNIZIONI / GASKETS	Di serie NBR - A richiesta FPM/Standard NBR-on demand FPM
ANELLI ANTIESTRUSIONE / ANTIEXTRUSION RINGS	PTFE
GABBIETTA GUIDA / CAGE GUIDE	NYLON 66 + FIBRA CARBONIO / NYLON 66 + CARBON FIBRE
SFERA / BALL	Acciaio/Steel C 6-UNI 100
OTTURATORE / VALVE PLUG	Acciaio/Steel C 15 Pb
MOLLA / SPRING	Acciaio/Steel AISI 302
TAPPO / PLUG	Acciaio/Steel 35 S Mn Pb 10-UNI EN 10087
MANOPOLA TIPO MA - RA / KNOB TYPE MA - RA	Alluminio/Aluminum GD AlSi12- UNI EN AB 46100
MANOPOLA TIPO MP / KNOB TYPE MP	ABS



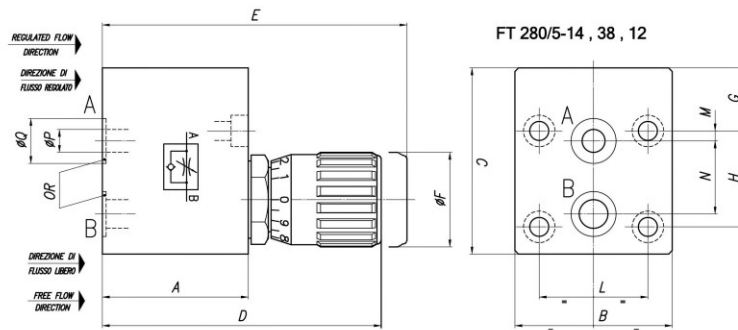
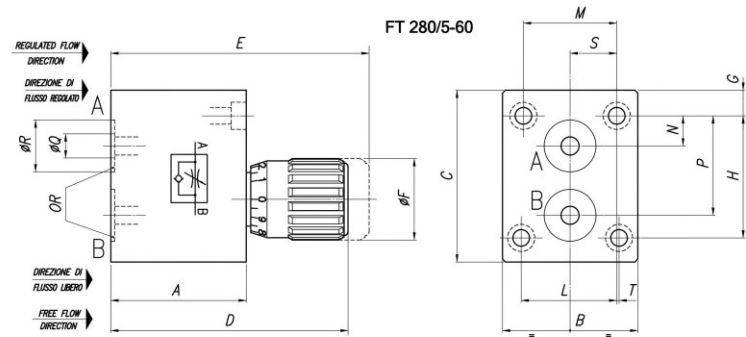
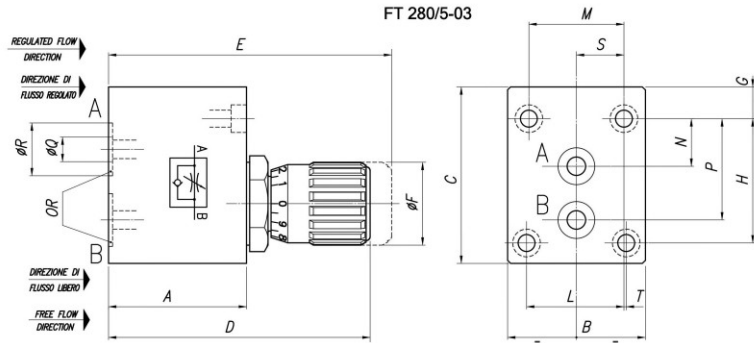
Technical data

TIPO / TYPE	PRESSIONE ESERCIZIO BAR / WORKING PRESSURE BAR	TEMPERATURA ESERCIZIO / WORKING TEMPERATURE	GRADO DI FILTRAZIONE μm / FILTRATION GRADE μm
03	250	-20°C/+100°C	25
60	250	-20°C/+100°C	25
14	250	-20°C/+100°C	25
38	250	-20°C/+100°C	25
12	250	-20°C/+100°C	25

Dimensional tables and drawings

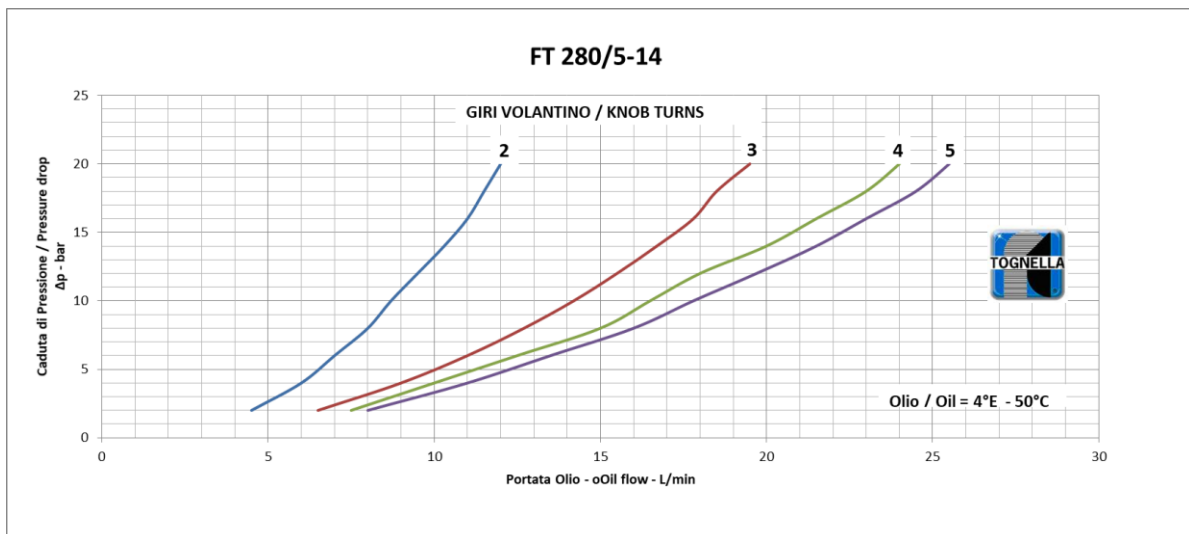
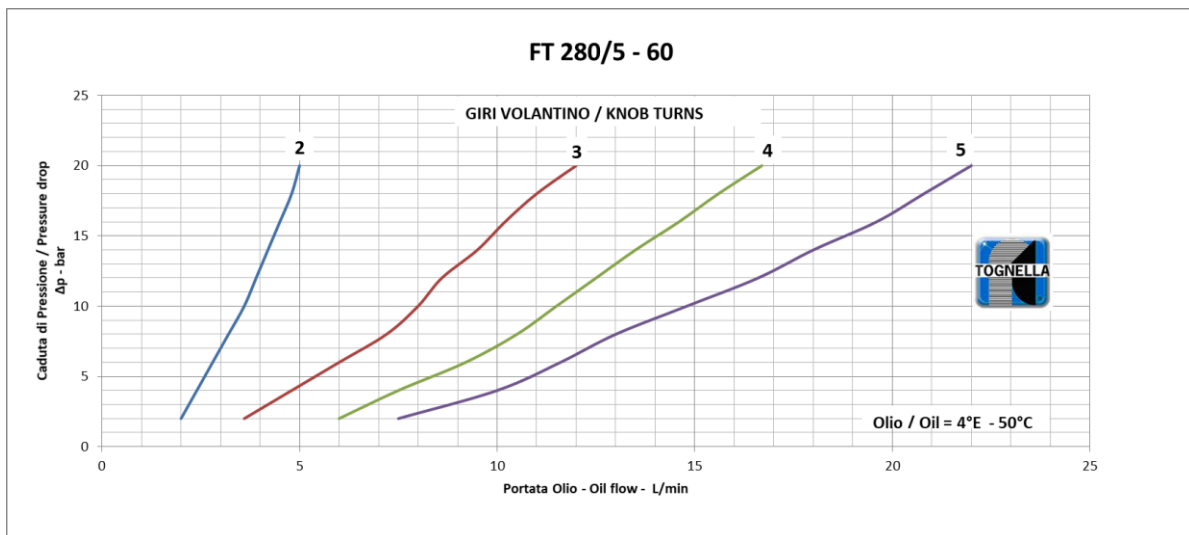
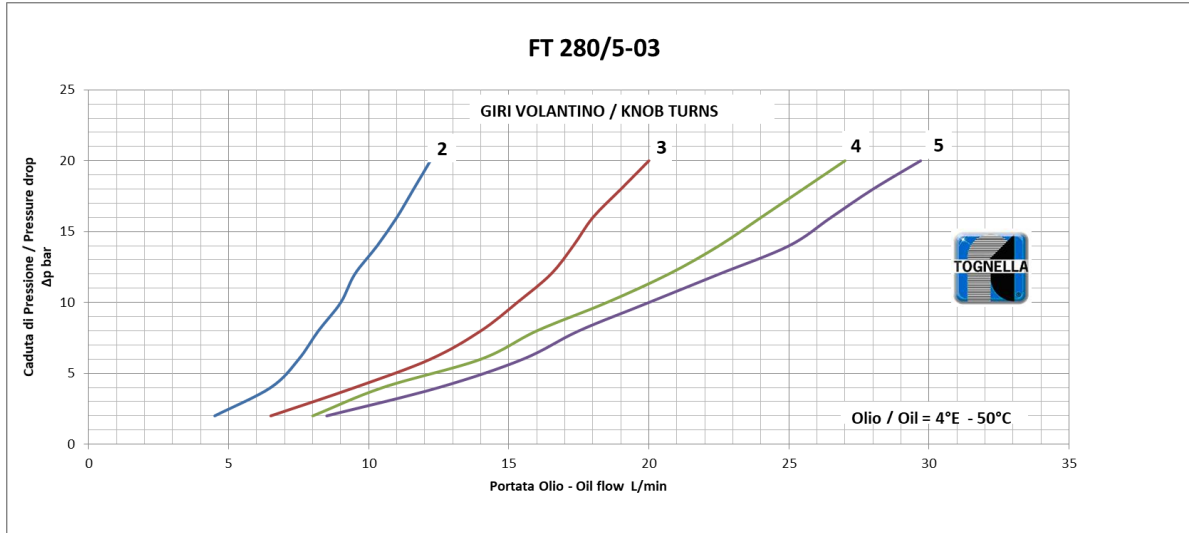
TIPO / TYPE	A	B	C	D	E	$\varnothing\text{F}$	G	H	L	M
03	45	45	57,5	85,3	92,3	27	10,3	40,5	31,75	31
60	45	45	57	73,8	80,8	27	8,5	40,5	31,75	31
14	45	50	60,5	85,3	93,3	27	18	35	33,5	5
38	51	55	65	97,5	106,5	33	22	33,5	38	3,5
12	65	65	82,5	119,1	129,6	38	30,5	38	44,5	4

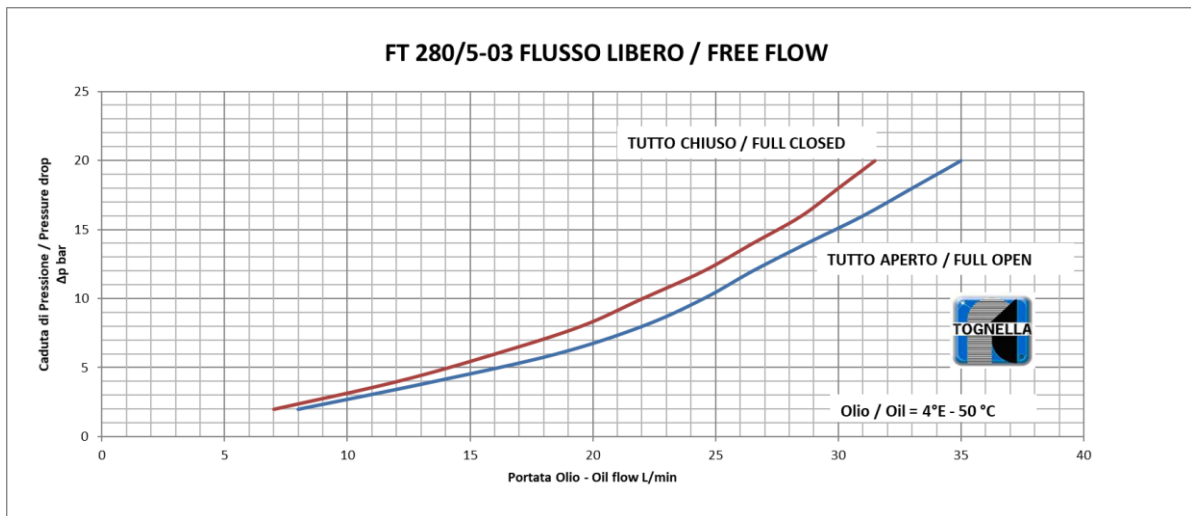
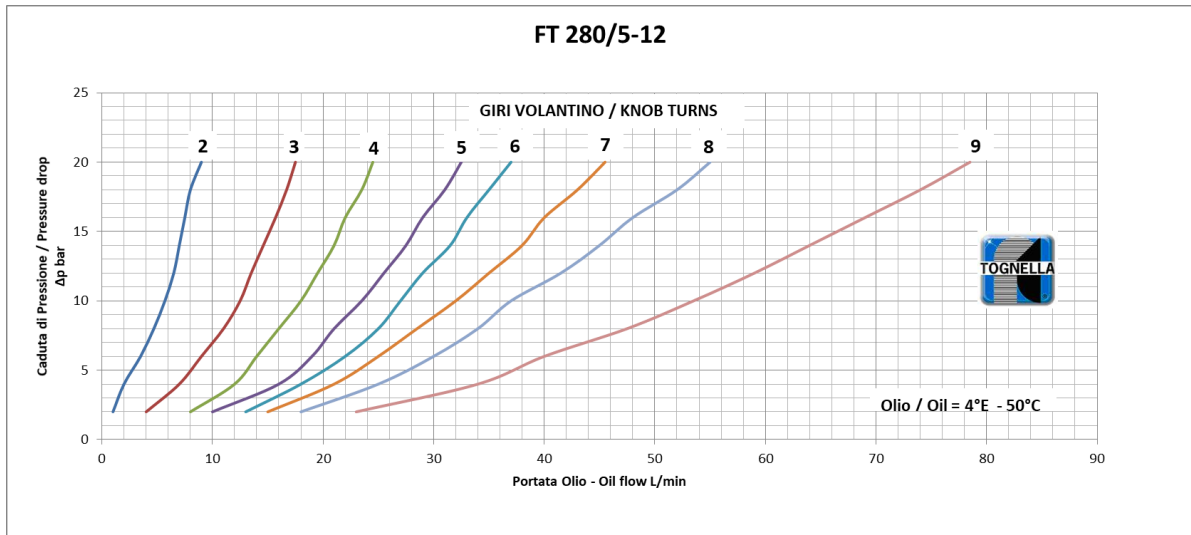
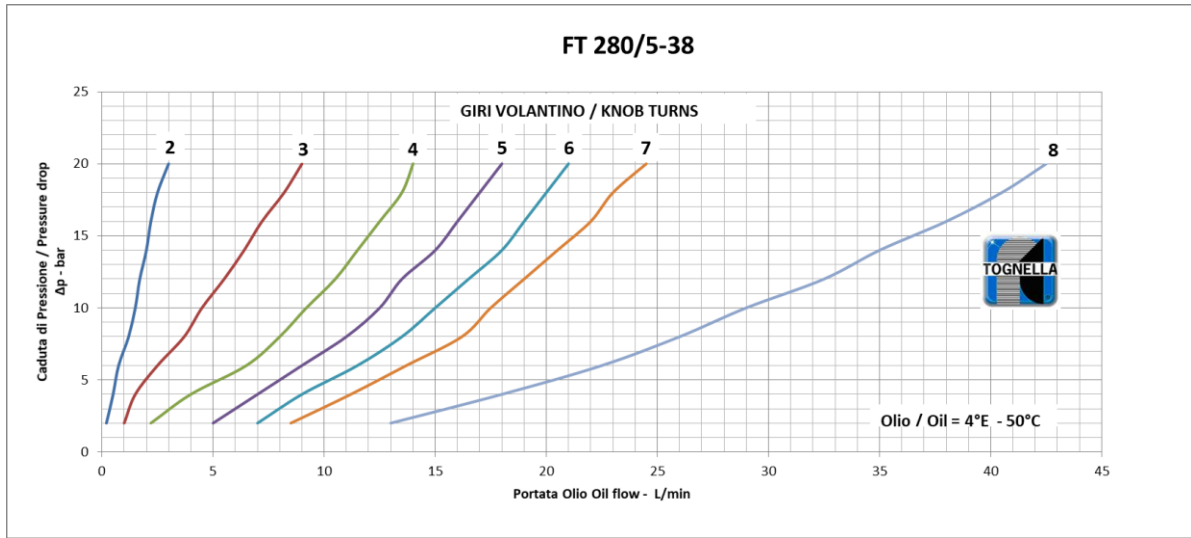
TIPO / TYPE	N	P	$\varnothing\text{Q}$	$\varnothing\text{R}$	S	T	OR	VITI / SCREWS	PESO / WEIGHT KG
03	12,7	30,2	6	12	15,5	0,75	108	M5x50	0,885
60	10	33	6	17,2	15,5	0,75	2056	M5x45	0,785
14	25,5	6	12,7	-	-	-	2037	M6x50	1,019
38	25,5	8	15,7	-	-	-	2050	M6x55	1,384
12	30	11	19,7	-	-	-	119	M6x70	2,628





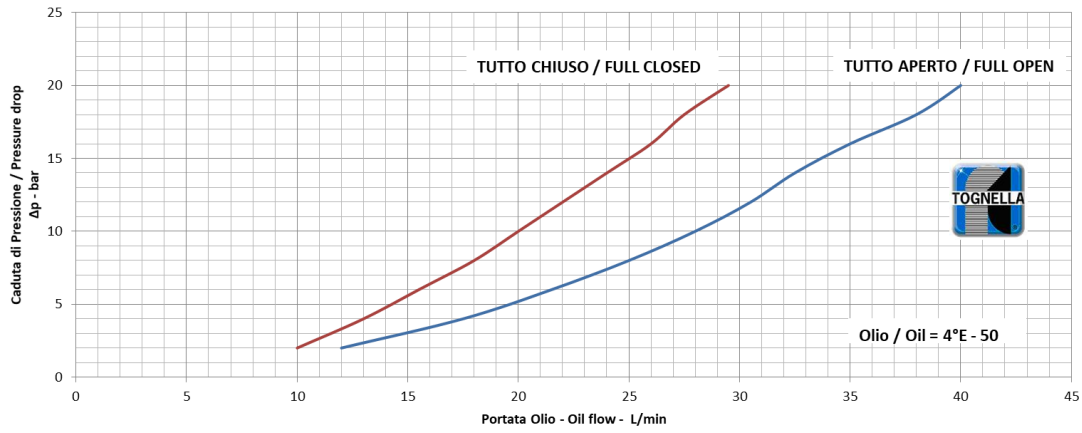
Flow rate curves



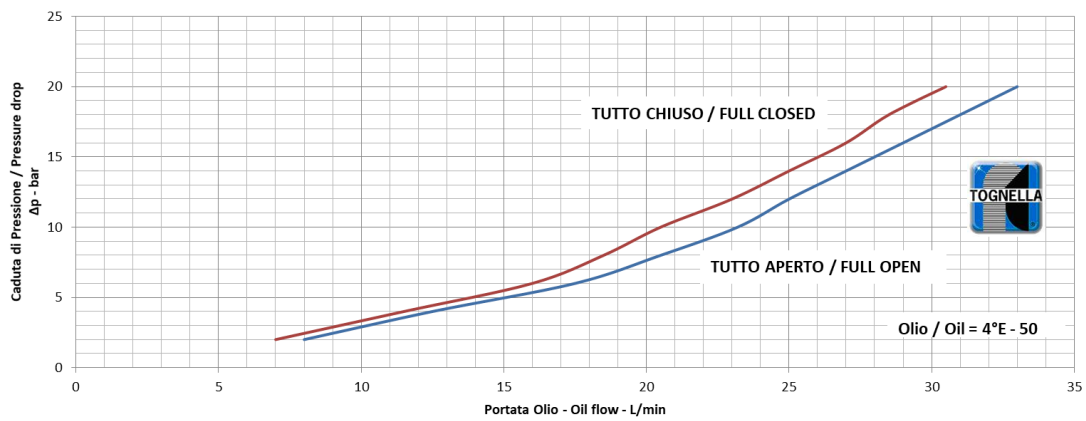




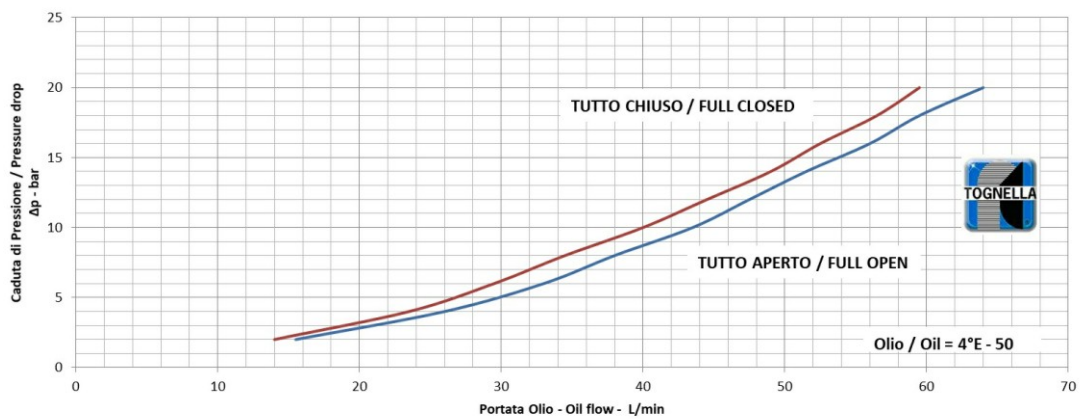
FT 280/5 - 60 -PORTATA FLUSSO LIBERO / FREE FLOW



FT280/5-14 PORTATA FLUSSO LIBERO / FREE FLOW



FT280/5 - 38 PORTATA FLUSSO LIBERO / FREE FLOW





FT280/5-12 -PORTATA FLUSSO LIBERO / FREE FLOW

