



## Two-Way high-pressure ball valves in carbon steel

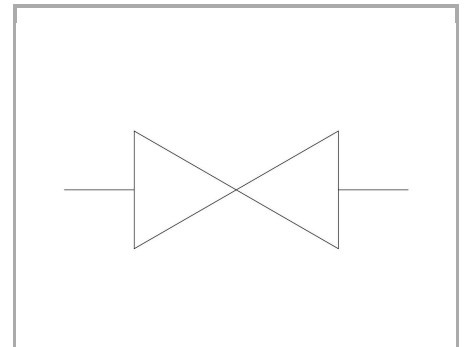
### FT 221/1

Two-way ball valves for high pressure up to 500 Bar ( depending on the size ) available in sizes from 1/4" to 2"

**High pressure ball valves**

**Two-way**

**Carbon steel**



## Technical information

### Technical description

Used to obtain a quick flow shut-off, avoiding noticeable pressure drop, the FT 221/1 ball valves are designed to obtain perfect sealing, easy and quick operation under high pressure conditions. Working pressure up to 500 bar and with every kind of fluids, such as: hydraulic oil, fuel, emulsions and liquids in general.

### Materials

<b>CORPO / BODY</b>	<b>Acciaio al carbonio / Carbon Steel</b>
<b>STELO DI COMANDO / CONTROL STEM</b>	<b>Acciaio cromato / Chrome-plated steel</b>
<b>SFERA / BALL</b>	<b>Acciaio cromato / Chrome-plated steel</b>
<b>GUARNIZIONE STELO / STEM GASKET</b>	<b>Di serie NBR - A richiesta FPM/Standard NBR-on demand FPM</b>
<b>GUARNIZIONE SFERA / BALL GASKET</b>	<b>PTFE</b>



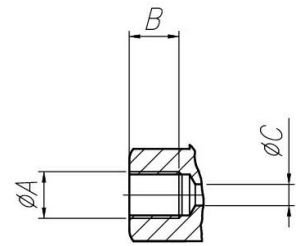
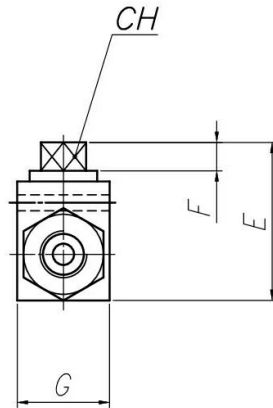
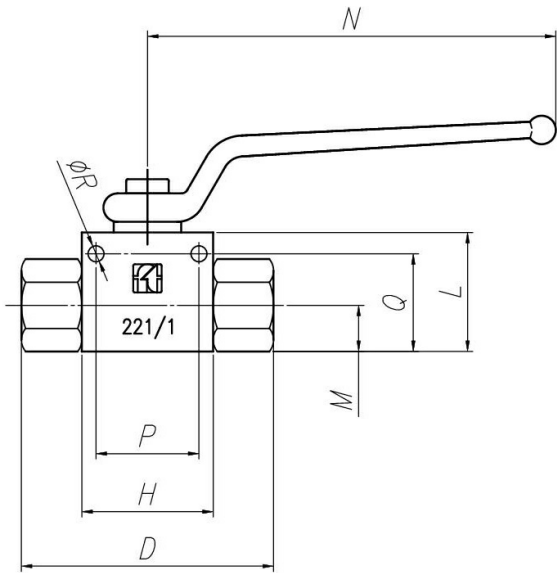
## Technical data

TIPO / TYPE	PRESSIONE ESERCIZIO BAR / WORKING PRESSURE BAR	TEMPERATURA ESERCIZIO / WORKING TEMPERATURE	GRADO DI FILTRAZIONE $\mu\text{m}$ / FILTRATION GRADE $\mu\text{m}$
18	500	-20°C/+100°C	25
14	500	-20°C/+100°C	25
38	500	-20°C/+100°C	25
12	500	-20°C/+100°C	25
34	320	-20°C/+100°C	25
100	320	-20°C/+100°C	25
114	320	-20°C/+100°C	25
112	320	-20°C/+100°C	25
200	320	-20°C/+100°C	25

## Dimensional tables and drawings

TIPO / TYPE	DN	PN(BAR)	$\varnothing A$	B	$\varnothing C$	D	E	F	G
18	4	500	1/8" G	14	5	71	44,5	8	26
14	6	500	1/4" G	14	6	71	44,5	8	26
38	10	500	3/8" G	14	10	72	50	8	33
12	13	500	1/2" G	16	13	85	51	8	35
34	20	320	3/4" G	18	20	97	71,5	11	50
100	25	320	1" G	20	24	113	76	11	60
114	32	320	1 1/4" G	22	32	110	106	20	78
112	38	320	1 1/2" G	24	38	130	112,5	15	83
200	48	320	2" G	28	48	140	132	20	100

TIPO / TYPE	H	L	M	N	P (A RICHIESTA / ON REQUEST)	Q (A RICHIESTA / ON REQUEST)	$\varnothing R$ (A RICHIESTA / ON REQUEST)	CH	PESO / WEIGHT KG
18	37	33,5	13	115	29	27,5	4,5	9	0,300
14	37	33,5	13	115	29	27,5	4,5	9	0,374
38	43	39	16,5	115	35	35	5,5	9	0,559
12	48	40	17	115	39	35,5	6,5	9	0,655
34	63	57	24	160	50	49,5	6,5	14	1,564
100	67	60	26,5	160	54	54	6,5	14	2,082
114	80	85	35	200	-	-	-	17	2,107
112	85	92	41,5	200	-	-	-	17	3,698
200	100	111	50	200	-	-	-	19	6,070



*DETTAGLIO ATTACCHI CONNESSIONI*  
*THREAD PORT DETAIL*