



Three-Way high-pressure ball valves in carbon steel

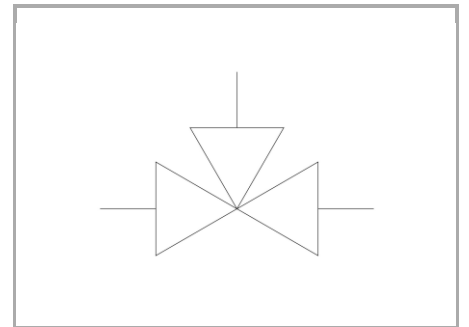
FT 221/3

Three-way ball valves for high pressure up to 500 Bar (depending on the size) available in sizes from 1/8" to 1"

High pressure ball valves

Three-way

Carbon steel



Technical information

Technical description

Used to obtain a quick flow shut-off, avoiding noticeable pressure drop, the FT 221/3 ball valves are designed to obtain perfect sealing, easy and quick operation under high pressure conditions. The noticeable solidity, the material selection and the accurate machining allow their use at working pressure up to 315 bar and with every kind of fluids, such as: hydraulic oil, fuel, emulsions and liquids in general.

Materials

CORPO / BODY	Acciaio al carbonio / Carbon Steel
STELO DI COMANDO / CONTROL STEM	Acciaio cromato / Chrome-plated steel
SFERA / BALL	Acciaio cromato / Chrome-plated steel
GUARNIZIONE STELO / STEM GASKET	Di serie NBR - A richiesta FPM/Standard NBR-on demand FPM
GUARNIZIONE SFERA / BALL GASKET	PTFE



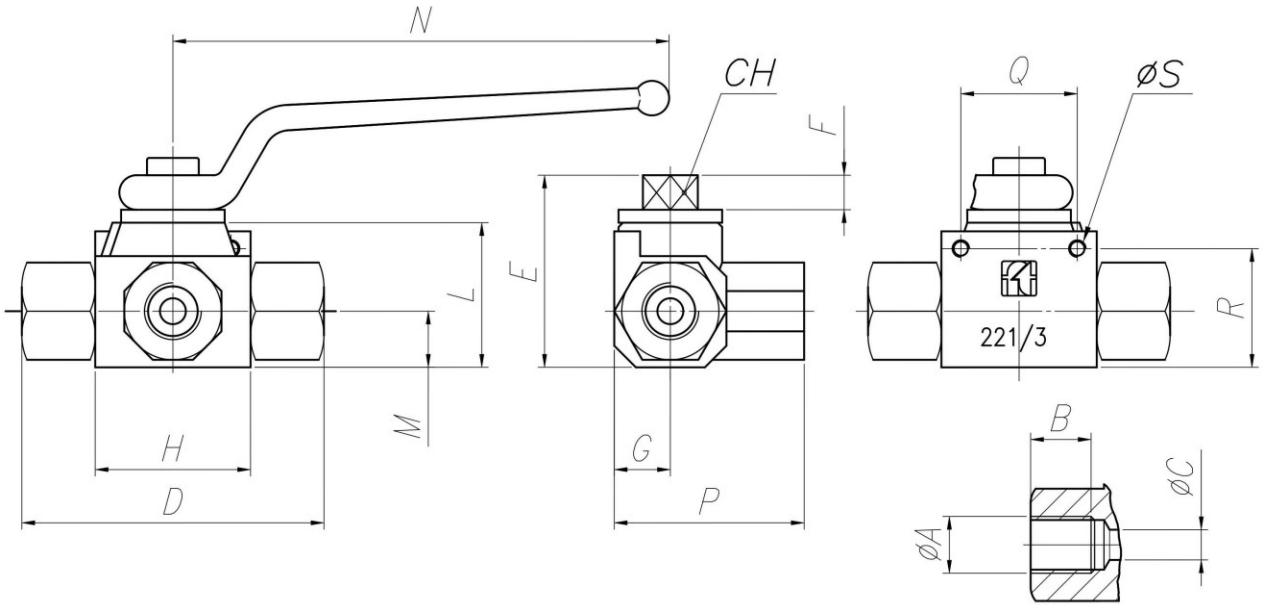
Technical data

TIPO / TYPE	PRESSIONE ESERCIZIO BAR / WORKING PRESSURE BAR	TEMPERATURA ESERCIZIO / WORKING TEMPERATURE	GRADO DI FILTRAZIONE μm / FILTRATION GRADE μm
18	500	-20°C/+100°C	25
14	500	-20°C/+100°C	25
38	500	-20°C/+100°C	25
12	500	-20°C/+100°C	25
34	320	-20°C/+100°C	25
100	320	-20°C/+100°C	25

Dimensional tables and drawings

TIPO / TYPE	DN	PN(BAR)	ϕA	B	ϕC	D	E	F	G	H
18	4	500	1/8" G	14	5	71	44,5	8	13	36
14	6	500	1/4" G	14	7	71	44,5	8	13	36
38	10	500	3/8" G	14	10	72	50	8	16,5	43
12	13	500	1/2" G	16	13	85	51	8	17,5	48
34	20	320	3/4" G	18	20	97	72	11	24,5	63
100	25	320	1" G	20	24	113	79,5	11	30	67

TIPO / TYPE	L	M	N	P	Q (A RICHIESTA / ON REQUEST)	R (A RICHIESTA / ON REQUEST)	ϕS (A RICHIESTA / ON REQUEST)	CH	PESO / WEIGHT KG
18	33,5	13	115	44	27	27,5	M4	9	0,450
14	33,5	13	115	44	27	27,5	M4	9	0,400
38	39	16,5	115	51,5	33	35	M4	9	0,600
12	40,5	17,5	115	55	38	36	M5	9	0,650
34	56,5	24,5	160	70	50	49,5	M6	14	1,600
100	63,5	30	160	87,5	54	54	M6	14	2,400



DETTAGLIO ATTACCHI CONNESSIONI
THREAD PORT DETAIL